

Heatless Air Dryer



Working Principle:

'Heatless Air Dryer' often referred as pressure swing adsorption dryer, Desiccant Dryer, and to a lesser extent regenerative dryer. The compressed air is passed through a Coalescing type Pre filter. Here dust particles, water and oil coalesce and removed from the stream. Then the air is passed through a pressure vessel with two "towers" filled with a media such as activated alumina, molecular sieve or other Desiccant material. This desiccant material attracts the water from the compressed air via adsorption. As the water clings to the desiccant, the desiccant "bed" becomes saturated. The dryer is timed to switch towers based on a standard cycle, once this cycle completes some compressed air from the system is used to "purge" the saturated desiccant bed by simply blowing the water that has adhered to the desiccant off. The duty of the desiccant is to bring the pressure dew point of the compressed air to a level in which the water will no longer condense. A standard dew point that is expected by a Heatless Air Dryer is -40°C (-40°F), required dew point is dependant on application and -70°C is required in some applications.

Applications:

- Automobile Garages
- Food & Beverages
- Hospitals
- Instrumentation
- Laboratories
- Pharmaceuticals
- Powder Coating
- Spray Painting Booth
- Tool Room etc.

Technical Data (Silver Line Series)

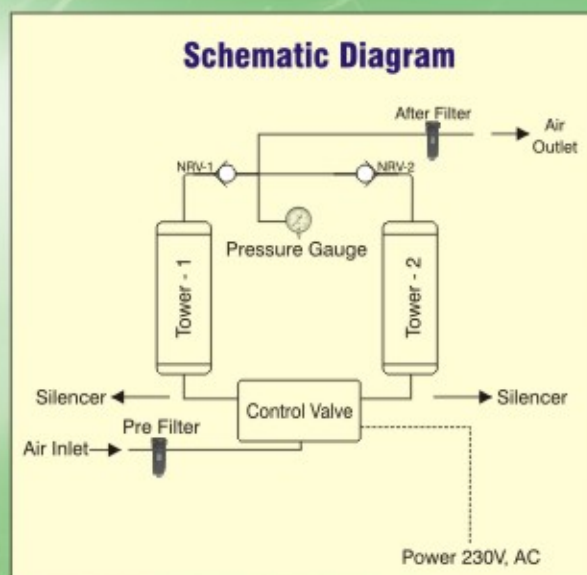
Model	Flow Capacity CFM	End Connections BSP (F)	Overall Dimensions MM			Approximately Weight Kgs
			Height (H)	Length (L)	Depth (D)	
ASLH 05	05	1/2"	570	240	100	12
ASLH 10	10	1/2"	670	240	100	15
ASLH 20	20	1/2"	990	240	100	20
ASLH 30	30	1/2"	900	350	150	31
ASLH 40	40	1/2"	1100	350	150	35
ASLH 70	70	3/4"	1530	590	220	100
ASLH 100	100	1"	1650	800	300	130

Specifications:

Working Pressure Range	: 4 to 12 Bar
Working Temperature Range	: 5°C to 45°C
Pre filter (Coalescing type)	: 0.1 Micron
Post Filter (in built)	: 5 Micron
Purge Loss	: 10 to 12 %
Pressure Dew point	: -40°C
Voltage Range	: 90 to 260 V / 50 / 1Ph

Salient Features:

- Simple & trouble free valve design
- Compact, light weight can be wall mounted
- Easy and flexible installation
- Low power Consumption
- Non Corrosive Metallic Tubing
- NRV with External Purge Control
- Automatic and maintenance free operation
- Air Quality as per ISO 8573 - 1. Table 3. Class 3/ Class 2



OTHER RANGE OF PRODUCTS



The data in this brochures are not binding, due to continues product improvement ANNAIR reserves the right to make changes without prior notice. For further information, contact factory

ANNAIR CONTROLS

(An ISO 9001 : 2008 certified company)

A-115, City Mall, Near Pendharkar College, MIDC, Dombivli (E),
Thane - 421 201, Maharashtra Tel.: 0251 - 2449956 / 09320950116
E-mail : admin@annair.com Website : www.annair.com

Factory Address : Gala No. 2&3, Sai Sagar, Mhatre Compound,
Manpada, Kalyan-Shil Road, Dombivli (E), Thane, Maharashtra.

Authorised Dealer: